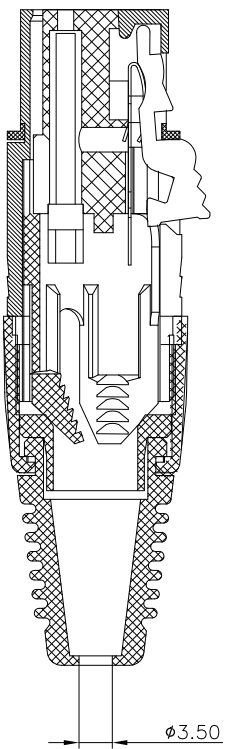
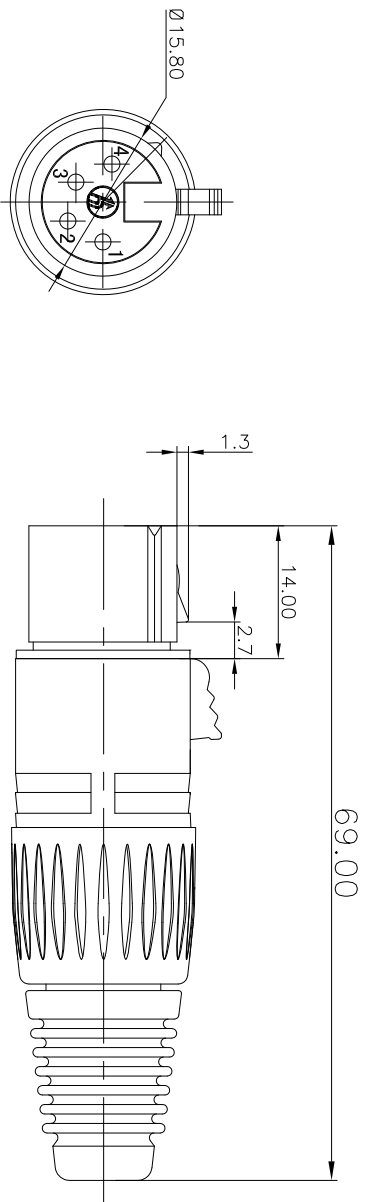



REV.	ECN NO.	MODIFIED MARK	APPROVED
A	—	FIRST RELEASE	



NOTES:  
 ELECTRICAL:  
 1:RATED CURRENT: 10 A MAX.  
 2:RATED VOLTAGE: 50 V AC.  
 3:INSULATION RESISTANCE: 2G OHMS MIN.  
 4:IELECTRIC WITHSTANDING VOLTAGE: 500 VAC MIN.  
 MECHANICAL:  
 1:INSERTION FORCE: 5N~40N  
 2:WITHDRAWAL FORCE: 5N~40N.  
 4:DURABILITY: 1000 CYCLES.  
 ENVIRONMENTAL:  
 TEMPERATURE RANGE: -30°C TO 80°C.

ANGLE	±5°	MODEL NAME:	PLF4-01	 <b>广东正宝科技有限公司</b> GUANGDONG TRENPPO TECHNOLOGY CO., LTD.	TITLE:	PLF PLUG	REV.:	A
63 < L	±0.5	(PART NO.)			DESIGN:	X.H.Wang 09/10'18	DWG NO.:	
16 < L ≤ 63	±0.4	MAT'L:	See table	CHECKED:	L.W.Wu 09/10'18	UNIT:	mm	
4 < L ≤ 16	±0.3	FINISH:	See table	APPROVED:	X.Q.Hu 09/10'18	VIEW:	5:1	
L ≤ 4	±0.2	Q'TY: /		SCALE:		SHEET:	1/1	
TOL TABLE:		THIS DOCUMENT IS THE PROPERTY OF TRENPRO TECHNOLOGY CO., LTD. NO PART THEREOF MAY BE REPRODUCED AND USED WITHOUT THE PRIOR WRITTEN CONSENT OF THE OWNER				SIZE:		A3