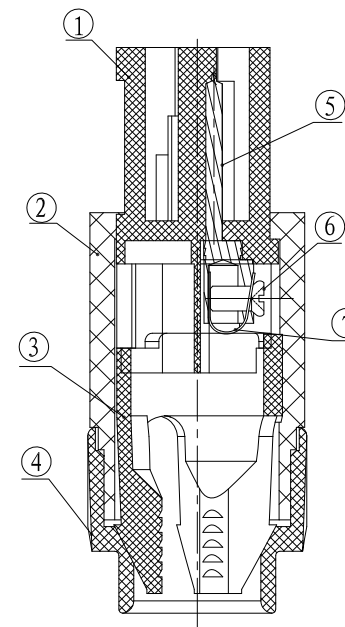
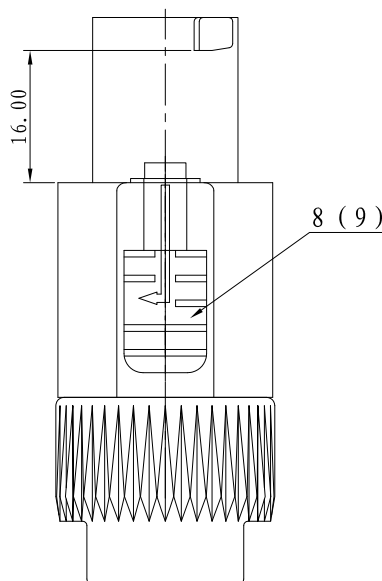
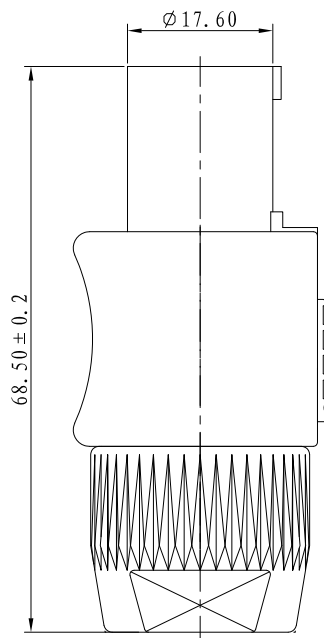



仅供参考

ALLOWANCE	
UNDER 3	± 0.1
3 TO 6	± 0.15
6 TO 15	± 0.2
15 TO 50	± 0.25
50 OVER	± 0.3



9	SPRING	STEEL	1	BLACK
8	PLE3-01 PUSH	Zinc	1	Ni PLATED
7	TERMINAL	BRONZE t=0.25	3	Ni PLATED
6	NUT	Q235 (钢)	3	Ni PLATED
5	PIN	HPb59-1	3	Ag PLATED
4	BACK COVER	PA66 A63 V2	1	BLUE
3	CRAMP	POM	1	WHITE
2	COVER	PA66 A63 V2	1	GRAY
1	HOUSE	PA66 A63 V2	1	GRAY
NO:	PART NAME	MATERIAL	QTY	FINISHING

MODEL NO: PLE3-01	ALLOWANCE:	DRAWN BY:
TYPE: PLE PLUG	UNIT: mm	CHECKED BY:
MATERIAL NO:	SCALE:	APPROVED BY:
PROJECTION	 ZWEE INDUSTRY(HK)CO.,LIMITED	
