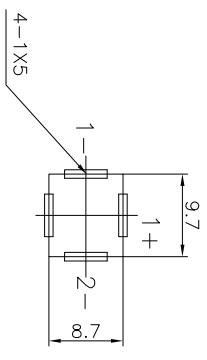
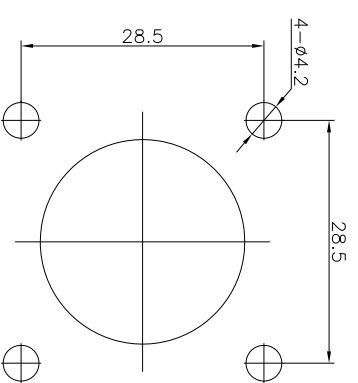
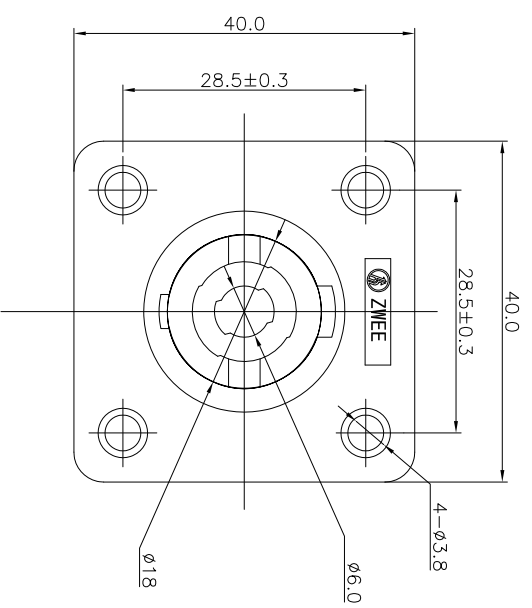
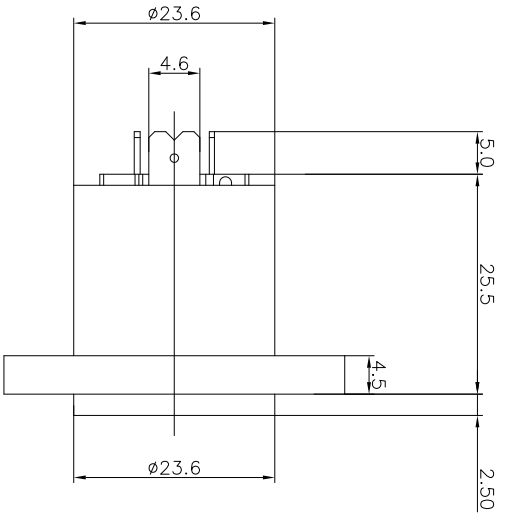


|      |         |               |          |
|------|---------|---------------|----------|
| REV. | ECN NO. | MODIFIED MARK | APPROVED |
| A    |         | FIRST RELEASE |          |



PCB LAYOUT  
TOP VIEW

- NOTES:
- ELECTRICAL:
- 1: RATED CURRENT: XLR: 20 A MAX JACK: 15 A MAX
  - 2: RATED VOLTAGE: XLR: 250 V AC JACK: 250 V AC
  - 3: CONTACT RESISTANCE: 30 MILLIOHMS MAX.
  - 4: INSULATION RESISTANCE: 1 G OHMS MIN.
  - 5: DIELECTRIC WITHSTANDING VOLTAGE: 1000 VAC MIN.
- MECHANICAL:
- 1: INSERTION FORCE: 5N~20N
  - 2: WITHDRAWAL FORCE: 5N~20N.
  - 4: DURRABILITY: 1000 CYCLES.




PANEL CUT OUT


|             |      |
|-------------|------|
| ANGLE       | ±5°  |
| 63 < L      | ±0.5 |
| 16 < L ≤ 63 | ±0.4 |
| 4 < L ≤ 16  | ±0.3 |
| L ≤ 4       | ±0.2 |

TOL TABLE:

THIS DOCUMENT IS THE PROPERTY OF  
TRENPRO TECHNOLOGY CO.,LTD.,NO  
PART THEREOF MAY BE REPRODUCED AND  
USED WITHOUT THE PRIOR WRITTEN  
CONSENT OF THE OWNER

|                                  |                  |                       |
|----------------------------------|------------------|-----------------------|
| MODEL NAME: SPE-23<br>(PART NO.) | DESIGN: Z.F.LIAN | TITLE: SPEAKON SERIES |
| MAT'L: See table                 | CHECKED: L.W.Wu  | DWG NO.:              |
| FINISH: See table                | APPROVED: X.Q.Hu | DATE: 10/24'18        |

 广东正宝科技有限公司  
GUANGDONG TRENPRO TECHNOLOGY CO., LTD.

|        |          |   |            |            |          |
|--------|----------|---|------------|------------|----------|
| QTY: / | UNIT: mm | VIEW:  | SCALE: 5:1 | SHEET: 1/1 | SIZE: A3 |
|--------|----------|---|------------|------------|----------|